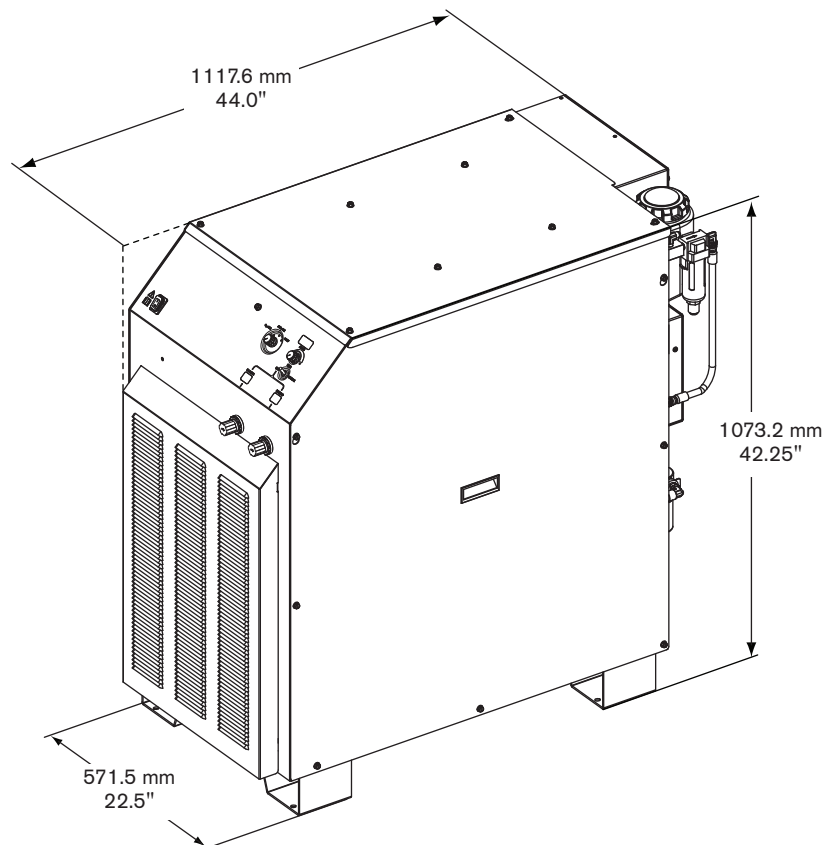
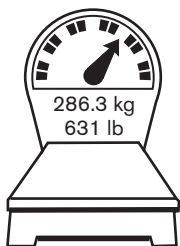


Power supply

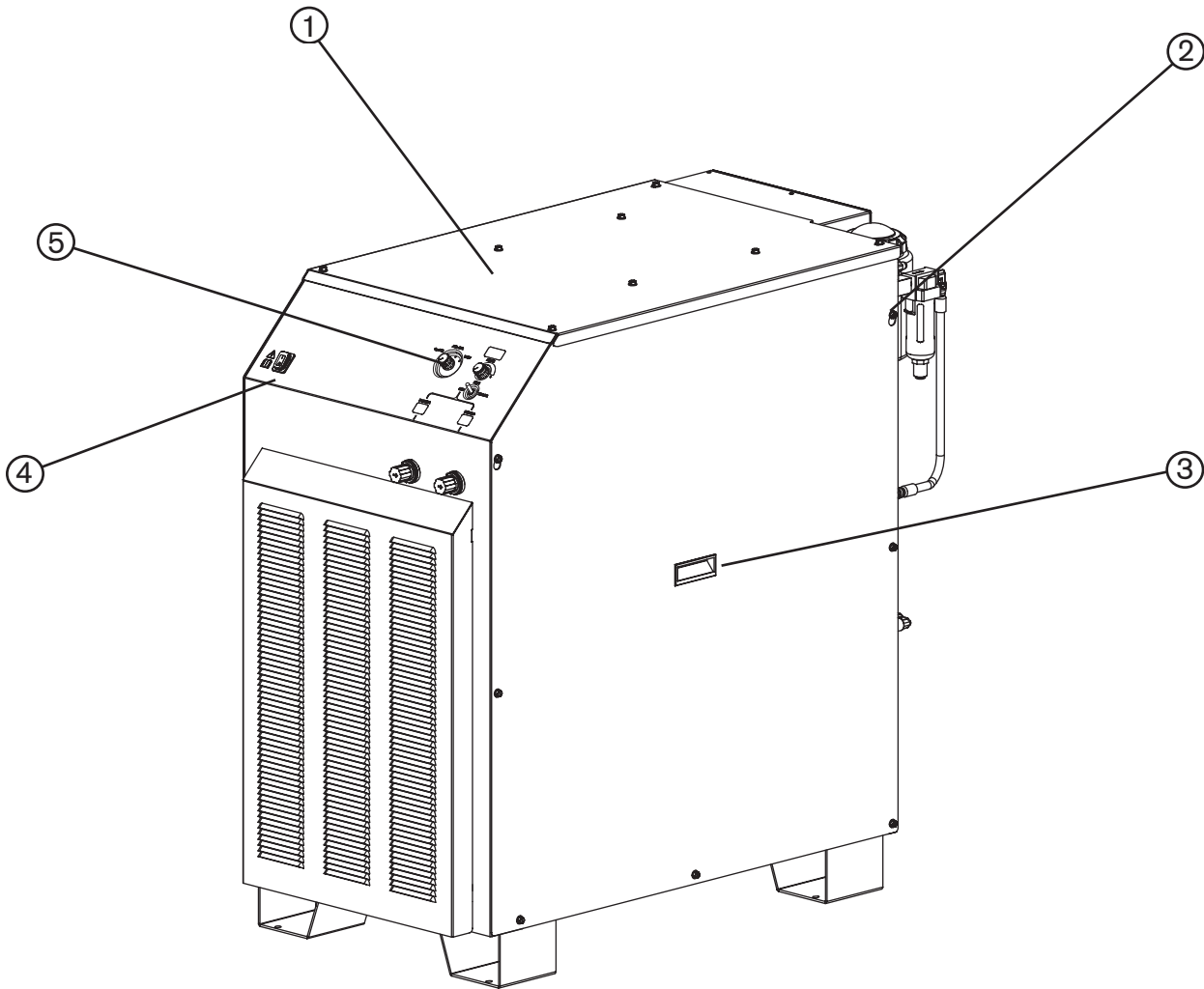
| General | | | | | | |
|----------------------------------|----------------------|---|----------------|--------------------|---------------------|---|
| Maximum OCV (U_0) | | 311 VDC | | | | |
| Maximum output current (I_2) | | 130 Amps | | | | |
| Output voltage (U_2) | | 50 – 150 VDC | | | | |
| Duty cycle rating (X) | | 100% @ 19.5 kw, 40° C (104° F) | | | | |
| Ambient temperature/Duty cycle | | Power supplies will operate between -10° C and +40° C (+14° and 104° F) | | | | |
| Power factor(cosφ) | | 0.91 @ 130 ADC output | | | | |
| Cooling | | Forced air (Class F) | | | | |
| Insulation | | Class H | | | | |
| Part number | AC Voltage (U_1) | Phase | Frequency (Hz) | Amperage (I_1) | Regulatory approval | Power kW (+/- 10%) ($U_1 \times I_1 \times 1.73$) |
| 078515 | 200/208 | 3 | 50/60 | 62/60 | CSA | 21.5 |
| 078516 | 220 | 3 | 50/60 | 56 | CSA | 21.5 |
| 078517 | 240 | 3 | 60 | 52 | CSA | 21.5 |
| 078518 | 380 | 3 | *50/60 | 33 | CCC | 21.5 |
| 078519 | 400 | 3 | 50/60 | 32 | CE/GOST-R | 21.5 |
| 078520 | 440 | 3 | 50/60 | 28 | CSA | 21.5 |
| 078521 | 480 | 3 | 60 | 26 | CSA | 21.5 |
| 078522 | 600 | 3 | 60 | 21 | CSA | 21.5 |

* 380 V CCC regulatory approval is for 50 Hz operation only.



PARTS LIST

Power supply



| Item | Part number | Description | Designator | Quantity |
|------|-------------|---|------------|----------|
| 1 | 078515 | HySpeed (HSD) Plasma power supply: 200/208 volt | | |
| | 078516 | HySpeed (HSD) Plasma power supply: 220 volt | | |
| | 078517 | HySpeed (HSD) Plasma power supply: 240 volt | | |
| | 078518 | HySpeed (HSD) Plasma power supply: 380 volt | | |
| | 078519 | HySpeed (HSD) Plasma power supply: 400 volt | | |
| | 078520 | HySpeed (HSD) Plasma power supply: 440 volt | | |
| | 078521 | HySpeed (HSD) Plasma power supply: 480 volt | | |
| | 078522 | HySpeed (HSD) Plasma power supply: 600 volt | | |
| 2 | 075241 | Sheet metal screw | | 1 |
| 3 | 027967 | Handle | | 2 |
| 4 | 005262 | Power switch: green illuminated | | 1 |
| 5 | 108590 | knob | | 2 |
| | 108591 | Knob cover | | 2 |